

FLANGED BUSHES

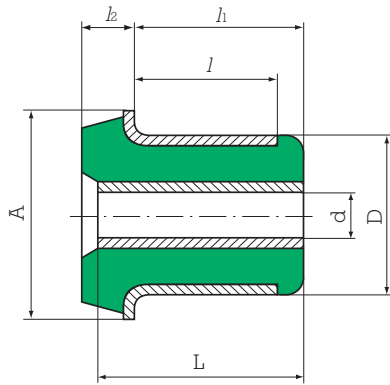


Fig. 1

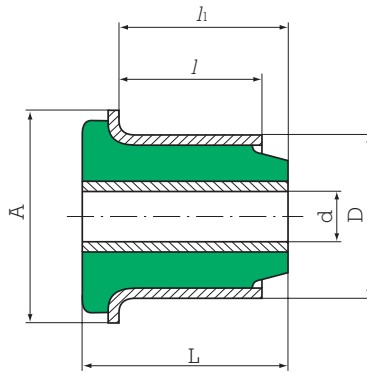


Fig. 2

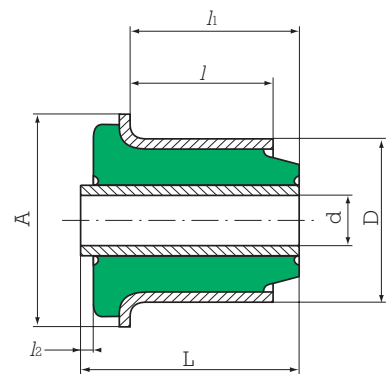


Fig.3

FLANBLOC®

d mm	D mm	A mm	L mm	l mm	l ₁ mm	l ₂ mm	Maximum radial load		Dyna- mic axial load	Torsion		Fig.	Reference
							Static daN	Dyna- mic daN		Max angle	Approx torque N.m		
16	32	47	62	48	56.5	9.5	250	Overload coefficient : 3	430	30°	45	2	866016
	32	47	89	48	83.5		250			30°	45	2	866012
	36	46	41	28.8	34.7		60			30°	90	1	867001

SPECIAL S.C.

d mm	D mm	A mm	L mm	l mm	l ₁ mm	l ₂ mm	Maximum radial load		Dyna- mic axial load	Torsion		Fig.	Reference
							Static daN	Dyna- mic daN		Max angle	Approx torque N.m		
12	32	43	50	34	40	3	50	Overload coefficient : 3	160	35°	16	3	531300
16	40	50	50	32	40	1	150		120	20°	-	2	531411
-	40	51	83	52	76	1	200		-	20°	-	3	531417