

# LAMINATED BUSHES

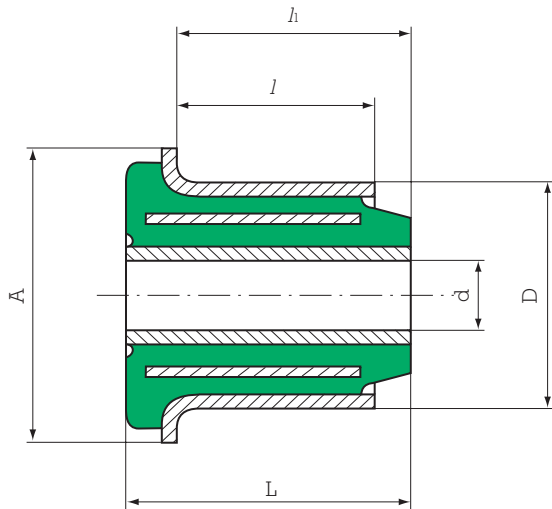


Fig. 1

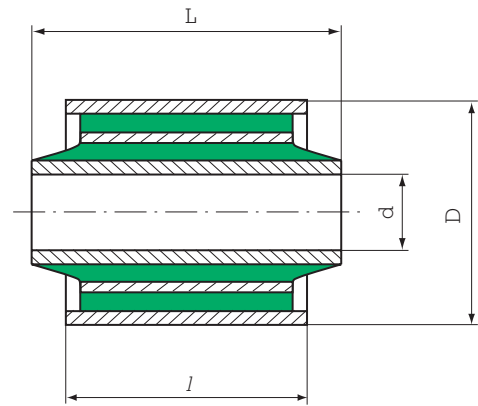


Fig. 2

## DIMENSIONS

d mm	D mm	A mm	L mm	l mm	h mm	fig.	Reference
12	34	-	48	30	-	2	560033
14	35	-	58.3	43	-	2	561040
14	40	55	27.4	16.3	17	1	531427
16	40	-	46	32	-	2	560062
20	38	-	60	59	-	2	579071

## OPERATING CHARACTERISTICS

Reference	Maximum Radial Load		Axial Static Load daN	Torsion	
	Static daN	Dynamic daN		Max Angle	Approx torque N.m
531427*	400	-	130	20°	80
560062	900	-	40	15°	20
560033	750	-	40	20°	10
561040	850	-	50	20°	50
579071	10500	15000		6°	54

\* The axial load is measured on the side of the lateral stop.