

# SPECIAL BUSHES

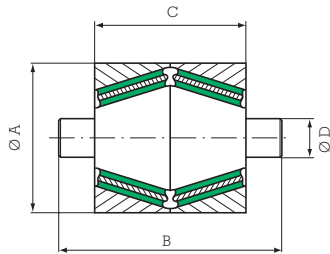


Fig. 1

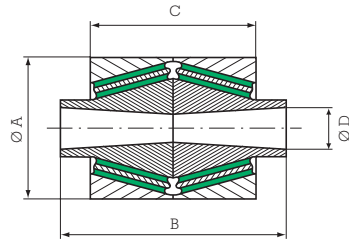


Fig. 2

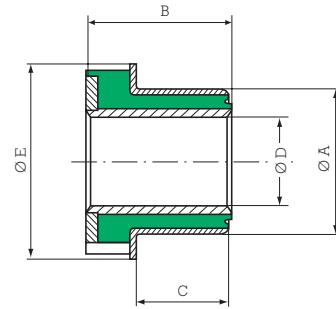


Fig. 3

| Reference | Fig. | Ø A mm | B mm | C mm | Ø D mm    | Ø E mm | Radial stiffness KN/mm | Axial stiffness KN/mm |
|-----------|------|--------|------|------|-----------|--------|------------------------|-----------------------|
| 563468    | 2    | 180    | 200  | 140  | Ø 68 cone | -      | 85                     | 10                    |
| 562908    | 1    | 140    | 254  | 160  | 50 x 56   | -      | 85                     | 17                    |
| 562912    | 1    | 140    | 273  | 145  | Ø 63      | -      | 20                     | 5                     |
| 563533    | 2    | 185    | 190  | 150  | Ø 70 cone | -      | 57.5                   | 16.75                 |
| 563550    | 2    | 185    | 190  | 150  | Ø 68      | -      | 57.5                   | 16.75                 |
| 563443    | 2    | 132    | 154  | 136  | Ø 70      | -      | 140                    | 5                     |
| 531293    | 3    | 110    | 55   | 42   | Ø 50      | 86     | 17                     | 8                     |
| 531367    | 3    | 110    | 95   | 33   | Ø 52      | 150    | 10                     | 50                    |
| 531330    | 3    | 122    | 72   | 54   | Ø 70      | 162    | 40                     | 30                    |
| 563352    | 1    | 122    | 254  | 120  | Ø 50      | -      | 4                      | 5                     |

