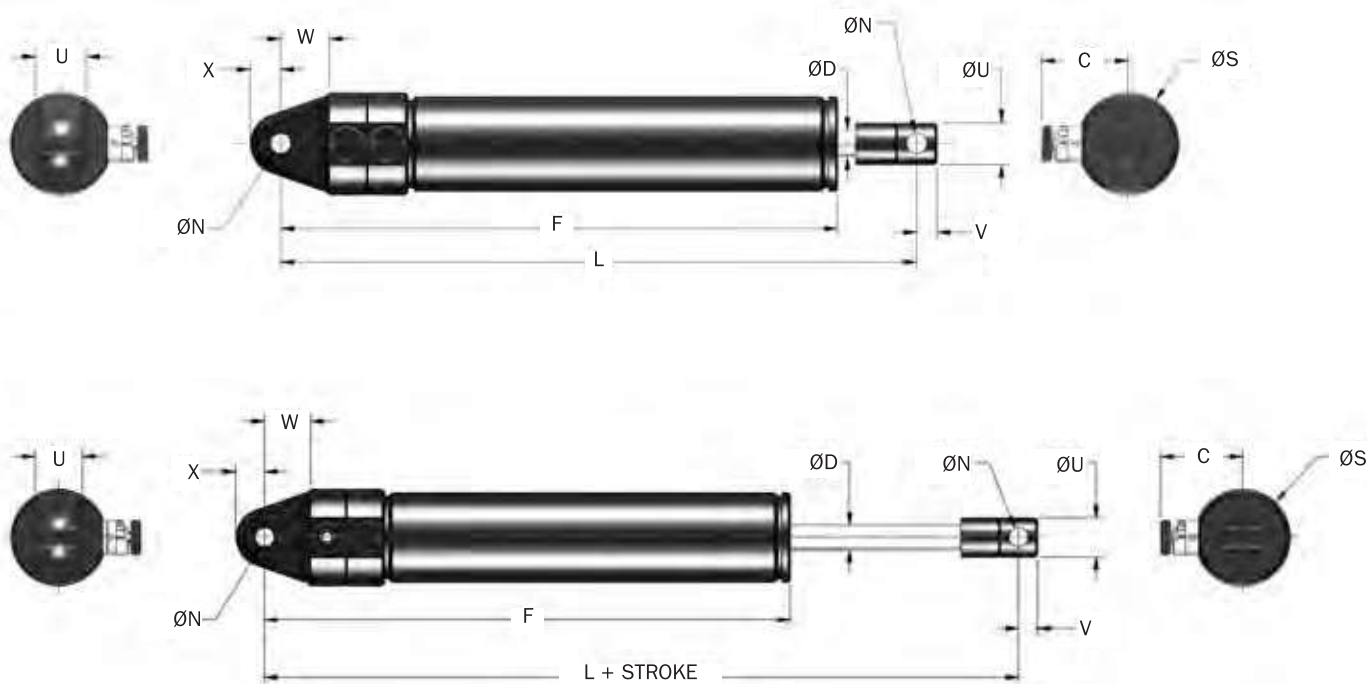


ADA 505M → ADA 525M Series



Catalog No./ Model	Damping Direction	Bore Size mm	(S) Stroke mm	F _D Max. Propelling Force		E _T C Max. Nm/hr	Mass Kg
				Extension N	Compression N		
ADA 505M	T, C or T and C	16,0	50,0	2 000	2 000	73 450	0,3
ADA 510M	T, C or T and C	16,0	100,0	2 000	1 670	96 050	0,372
ADA 515M	T, C or T and C	16,0	150,0	2 000	1 335	118 650	0,445
ADA 520M	T, C or T and C	16,0	200,0	2 000	900	141 250	0,520
ADA 525M	T, C or T and C	16,0	250,0	2 000	550	163 850	0,590

Catalog No./ Model	C mm	D mm	F mm	L mm	N mm +0,13/-0,00	S mm	U mm +0,00/-0,381	V mm	W mm	X mm
ADA 505M	27,0	8,0	173,0	200	6,0	31,8	12,7	6,3	14,2	9,5
ADA 510M	27,0	8,0	224,0	250	6,0	31,8	12,7	6,3	14,2	9,5
ADA 515M	27,0	8,0	275,0	300	6,0	31,8	12,7	6,3	14,2	9,5
ADA 520M	27,0	8,0	325,0	350	6,0	31,8	12,7	6,3	14,2	9,5
ADA 525M	27,0	8,0	376,0	400	6,0	31,8	12,7	6,3	14,2	9,5