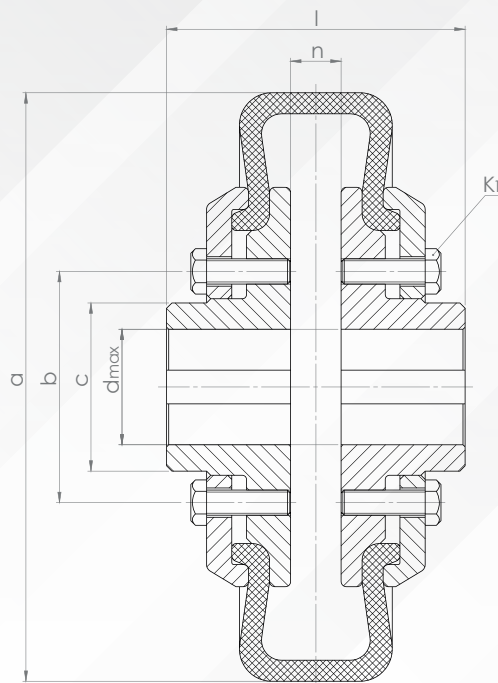


UNE'S PRODUCT RANGE / UNEFLEX



Uneflex FF Series | Coupling with tyres for large displacements

Coupling Size	1	2	3	4	5	6	7
Nominal Torque [Nm]	20	40	65	150	225	350	600
Max. Torque [Nm]	40	80	130	300	450	700	1.200
Max. Speed [rpm]	3.500	3.500	2.000	2.000	2.000	1.500	1.000
Diameter [mm]							
a	134	172	222	280	330	376	400
b	50	65	85	110	110	140	180
c	34	44	54	80	80	95	110
dmax	22	32	38	55	55	65	75
dpreboring	10	10	15	15	15	15	25
Screws K1	4xM8	6xM8	6xM10	6xM12	8xM12	8xM12	8xM16
Length [mm]							
l	65	92	117	142	178	207	233
n	9	12	11	24	27	18	18
Admissible displacement							
Axial ΔK_a [mm]	6	6	8	8	8	8	8
Radial ΔK_r [mm]	1,0	1,2	1,6	2,0	2,2	2,3	2,6
Angular ΔK_w [°]	2	2	2	2	2	2	2
Mass Moment of Inertia & Tyre No.							
Inertia J [kgm ²] (1)	0,0018	0,0258	0,1152	0,0736	0,1206	0,2815	0,5410
Mass [kg] (1)	1,35	2,52	5,25	10,0	14,0	25,0	39,0
Tyre No.	U201	U202	U203	U204	U205	U206	U207

(1) The value of the complete coupling with maximum finished bores



Cr. GI-2632 km7,8
20709 Ezkio (Guipúzcoa), Spain
+34 943 72 07 65
comercial@grupooria.com
www.eganagroup.com