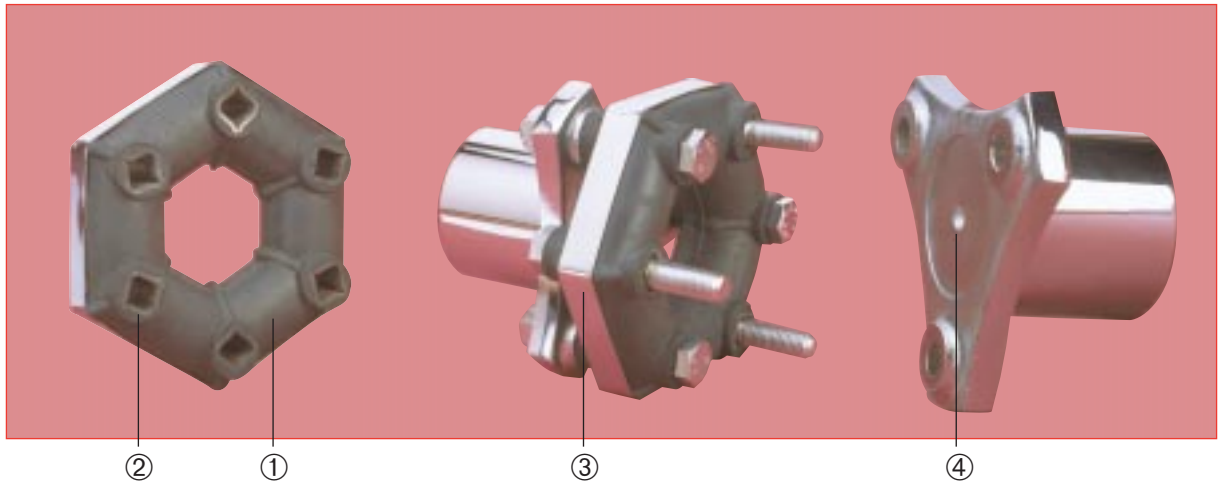


JUBOFLEX



DESCRIPTION

- Flexible element :
 - ① Precompressed natural rubber,
 - ② Bonded metal spacers,
 - ③ Precompression band (to be removed after installation).
- Flange :
 - ④ Die-cast steel (except 632320 which is cast-iron).

OPERATION

The JUBOFLEX coupling is designed with the following features :

- Radial disassembly without moving the machines that are coupled.
- The flexible element is precompressed during assembly, which extends the range of operating conditions where the rubber is not subject to tension.

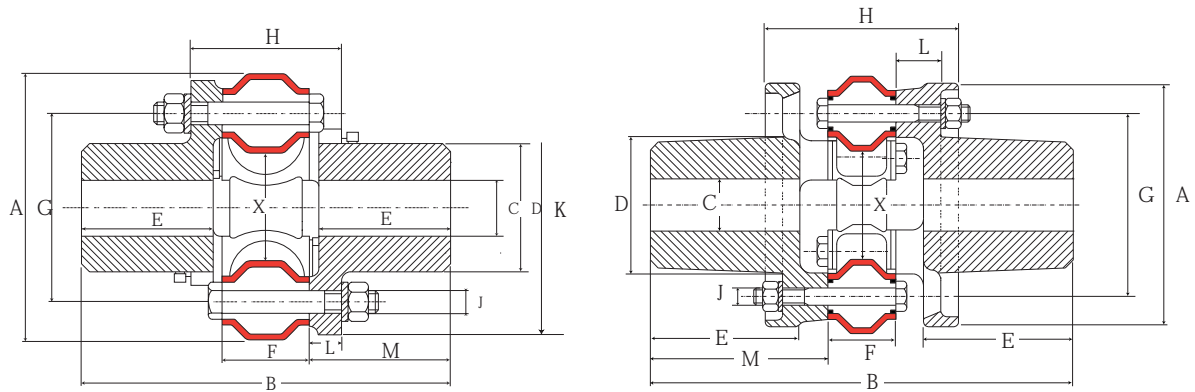
Advantages :

- Highly effective attenuation of cyclic irregularities and peaks in the torque.
- Very safe in use and the precompression ensures very high resistance to oscillation
- Tolerance to large misalignment: avoids the need for precise alignment of the machines to be coupled.

Recommendation :

- In use, precompression is achieved by the fixing bolts, and the JUBOFLEX coupling operates without the precompression band round the flexible element.

DIMENSIONS



JUBOFLEX Steel flanges except 632320 **JUBOFLEX Cast-iron flanges : ref. 632320**

Nominal torque N.m	Max torque N.m	Max speed rpm	Hole size C mm		A mm	B mm	D mm	E mm	Reference (without protector)	F mm	G mm	H mm	J mm	K mm	L mm	M mm	X* mm	Weight kg
			min	max														
40	120	6000		30	91	128	42	47	632027	28	65	50	8	87	11	50	23	2
90	270	5000		40	117	172	56	66	632023	32	85	60	10	113	14	70	35	3
160	480	4500		48	142	196	68	70	632017	46	100	80	12	135	17	75	40	5
250	750	3500		60	181	247	90	93	632029	51	132	93	14	172	21	98	63	12
350	1050	3000		70	202	284	105	109	632031	54	150	96	18	196	21	115	68	18
500	1500	2800		75	232	322	115	124	632043	62	170	108	20	225	23	130	75	25
700	2100	2400		80	263	346	122	133	632025	68	190	116	20	246	24	139	82	32
1200	3600	2400	60	100	280	486	156	172	632320	78	210	222	20	-	52	204	110	57

1 mN ≠ 0.1 mkg

* Diameter of passage in flexible element under the nominal torque.

See current price list for availability of items.

The maximum torque is considered to be an infrequent start-up torque and is not periodic. For higher nominal torques see "JUBOFLEX 'S'".

PARTS LIST

The flexible elements are delivered precompressed using a precompression band which should be removed after installation. For subsequent maintenance, use the disassembly band shown in the Parts List.

Coupling without protector reference	Flexible element reference	Qty	Flange reference	Qty	Disassembly band reference
632017	632505	1	321334	2	331243
632023	632503	1	321324	2	331242
632025	632511	1	321364	2	331246
632027	632502	1	321314	2	331241
632029	632507	1	321344	2	331244
632031	632508	1	321354	2	331245
632043	632500	1	321374	2	331247
632020	632520*	1	321390	2	331240

* This element has 8 mounting holes.

