

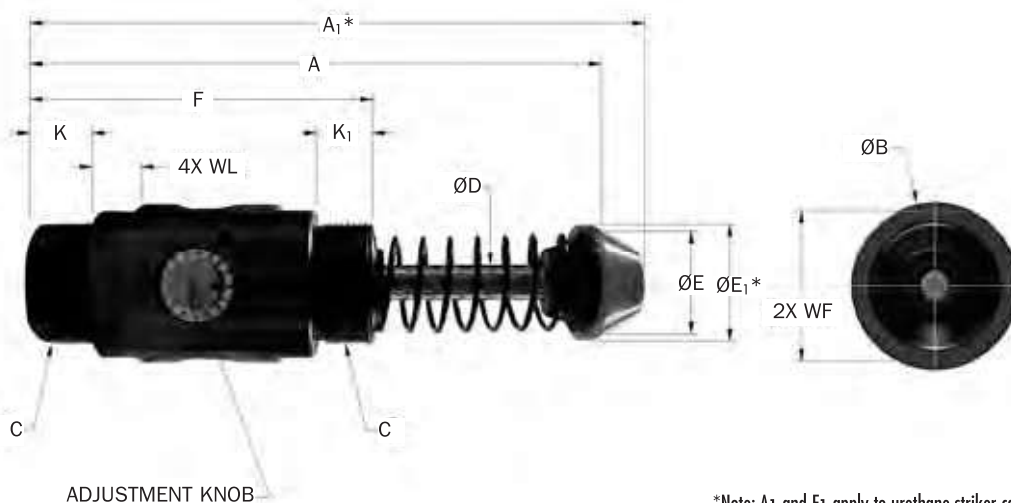
# Adjustable Series Hydraulic Shock Absorbers

## OEMXT Mid-Bore Series

### Technical Data

OEMXT 3/4 → (LR)OEMXT 1.5M Series

### Standard



\*Note: A<sub>1</sub> and E<sub>1</sub> apply to urethane striker cap accessory.

Catalog No./Model	(S) Stroke mm	Optimal Velocity Range m/s	E <sub>T</sub> Max. Nm/c	E <sub>T</sub> C Max. Nm/hr	F <sub>p</sub> Max. Reaction Force N	Nominal Coil Spring Force		F <sub>D</sub> Max. Propelling Force N	Mass Kg
						Extended N	Compressed N		
OEMXT 3/4 x 1	25,0	0,3-3,5	425	126 000	20 000	48	68	2 890	1,2
(LR)OEMXT 3/4 x 1	25,0	0,08-1,3	425	126 000	20 000	48	68	6 660	1,2
OEMXT 3/4 x 2	50,0	0,3-3,5	850	167 000	20 000	29	68	2 890	1,7
(LR)OEMXT 3/4 x 2	50,0	0,08-1,3	850	167 000	20 000	48	85	6 660	1,7
OEMXT 3/4 x 3	75,0	0,3-3,5	1 300	201 000	20 000	29	85	2 890	2,1
OEMXT 1.5M x 1	25,0	0,3-3,5	425	126 000	20 000	48	68	2 890	1,2
(LR)OEMXT 1.5M x 1	25,0	0,08-1,3	425	126 000	20 000	48	68	6 660	1,2
OEMXT 1.5M x 2	50,0	0,3-3,5	850	167 000	20 000	29	68	2 890	1,7
(LR)OEMXT 1.5M x 2	50,0	0,08-1,3	850	167 000	20 000	48	85	6 660	1,7
OEMXT 1.5M x 3	75,0	0,3-3,5	1 300	201 000	20 000	29	85	2 890	2,1

Catalog No./Model	C Thread	A mm	A <sub>1</sub> mm	B mm	D mm	E mm	E <sub>1</sub> mm	F mm	K mm	K <sub>1</sub> mm	WF mm	WL mm
(LR)OEMXT 3/4 x 1	1 3/4 - 12 UN	144	162	58	13	38	44	92	32	32	40,5	19
(LR)OEMXT 3/4 x 2	1 3/4 - 12 UN	195	213	58	13	38	44	118	45	45	40,5	19
(LR)OEMXT 3/4 x 3	1 3/4 - 12 UN	246	264	58	13	38	44	143	57	57	40,5	19
(LR)OEMXT 1.5M x 1	M42 x 1,5	144	162	58	13	38	44	92	32	32	40,5	19
(LR)OEMXT 1.5M x 2	M42 x 1,5	195	213	58	13	38	44	118	45	45	40,5	19
(LR)OEMXT 1.5M x 3	M42 x 1,5	246	264	58	13	38	44	143	57	57	40,5	19

# Adjustable Series Hydraulic Shock Absorbers

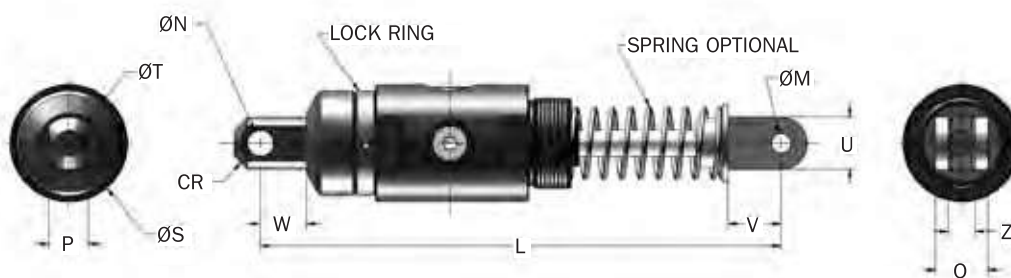
## OEMXT Mid-Bore Series

OEMXT 3/4 → (LR)OEMXT 1.5M Series

Accessories

### Clevis Mount

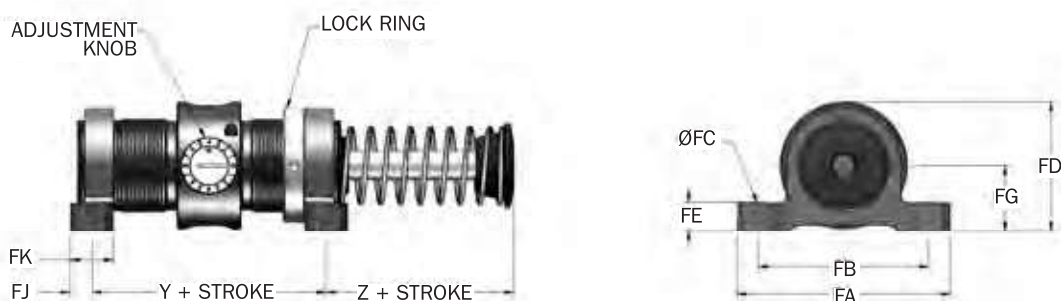
Adjustable Series



Catalog No./Model	(S) Stroke mm	L mm	M mm	N mm	P mm	Q mm	S mm	T mm	U mm	V mm	W mm	Z mm	CR mm	Mass Kg
Δ(LR)OEMXT 3/4 x 1 CM (S)	25	199,0	9,60	12,70 +0,25/0	19,0 +0,25/0	25,4 0/-0,3	51,0	25,4	25,0	26,0	22,0	12,9	14,3 +0,5/-0	1,59
Δ(LR)OEMXT 1.5M x 1 CM (S)	25	199,0	9,60	12,70 +0,25/0	19,0 +0,25/0	25,4 0/-0,3	51,0	25,4	25,0	26,0	22,0	12,9	14,3 +0,5/-0	1,59
Δ(LR)OEMXT 3/4 x 2 CM (S)	50	250,0	9,60	12,70 +0,25/0	19,0 +0,25/0	25,4 0/-0,3	51,0	25,4	25,0	26,0	22,0	12,9	14,3 +0,5/-0	1,7
Δ(LR)OEMXT 1.5M x 2 CM (S)	50	250,0	9,60	12,70 +0,25/0	19,0 +0,25/0	25,4 0/-0,3	51,0	25,4	25,0	26,0	22,0	12,9	14,3 +0,5/-0	1,7
ΔOEMXT 3/4 x 3 CM (S)	75	300,0	9,60	12,70 +0,25/0	19,0 +0,25/0	25,4 0/-0,3	51,0	25,4	25,0	26,0	22,0	12,9	14,3 +0,5/-0	1,95
ΔOEMXT 1.5M x 3 CM (S)	75	300,0	9,60	12,70 +0,25/0	19,0 +0,25/0	25,4 0/-0,3	51,0	25,4	25,0	26,0	22,0	12,9	14,3 +0,5/-0	1,95

Notes: 1. "S" designates model is supplied with spring.  
2. Δ = Non-standard lead time items, contact ITT Enidine.

### Flange Foot Mount



Catalog No./Model	Part Number	Model Ref	Y mm	Z mm	FA mm	FB mm	FC mm	FD mm	FE mm	FG mm	FJ mm	FK mm	Size	Bolt Mass g
FM 1 3/4-12	2FE2940	(LR)OEM 3/4	60,5	26,9	95,3	76,2	8,6	55,0	12,7	29,5	9,7	19,1	M8	370
FM M42 x 1,5	2F2940	(LR)OEM 1.5M	60,5	26,9	95,3	76,2	8,6	55,0	12,7	29,5	9,7	19,1	M8	370

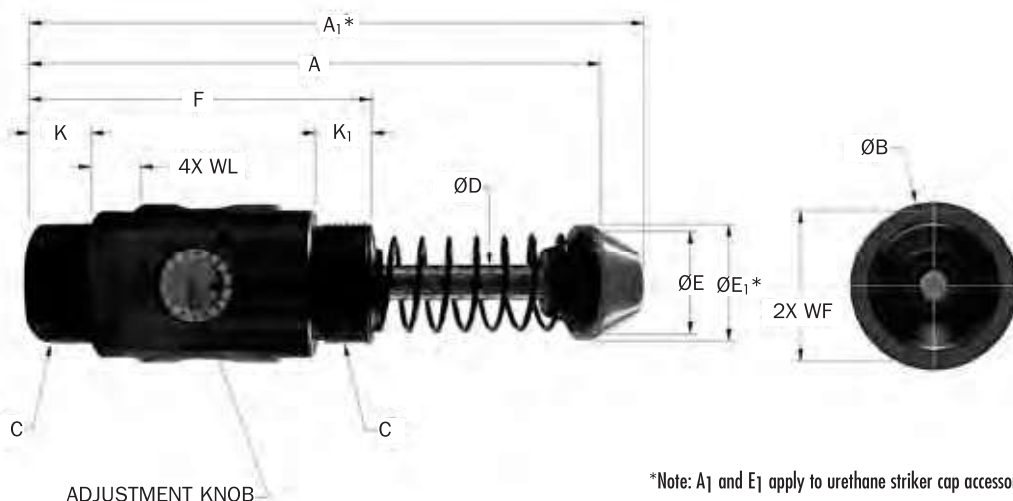
# Adjustable Series Hydraulic Shock Absorbers

## OEMXT Mid-Bore Series

### Technical Data

OEMXT 1 1/8 → (LR)OEMXT 2.0M Series

### Standard



Catalog No./ Model	(S) Stroke mm	Optimal Velocity Range m/s	E <sub>T</sub> Max. Nm/c	E <sub>T</sub> C Max. Nm/hr	F <sub>p</sub> Max. Reaction Force N	Nominal Coil Spring Force		F <sub>D</sub> Max. Propelling Force N	Mass Kg
						Extended N	Compressed N		
Δ LROEMXT 1 1/8 x 1	25,0	0,08-1,35	1 130	226 000	51 000	115	155	17 760	2,1
OEMXT 1 1/8 x 2	50,0	0,3-3,5	2 260	271 000	51 000	75	155	6 660	3,6
LROEMXT 1 1/8 x 2	50,0	0,08-1,35	2 260	271 000	51 000	75	155	17 760	3,6
OEMXT 1 1/8 x 4	100,0	0,3-3,5	4 520	362 000	51 000	70	160	6 660	4,9
OEMXT 1 1/8 x 6	150,0	0,3-3,5	6 780	421 000	51 000	90	284	6 660	6,4
Δ LROEMXT 2.0M x 1	25,0	0,08-1,35	1 130	226 000	51 000	115	155	17 760	2,1
OEMXT 2.0M x 2	50,0	0,3-3,5	2 260	271 000	51 000	75	155	6 660	3,6
LROEMXT 2.0M x 2	50,0	0,08-1,35	2 260	271 000	51 000	75	155	17 760	3,6
OEMXT 2.0M x 4	100,0	0,3-3,5	4 520	362 000	51 000	70	160	6 660	4,9
OEMXT 2.0M x 6	150,0	0,3-3,5	6 780	421 000	51 000	90	284	6 660	6,4

Note: Δ = Non-standard lead time items, contact ITT Enidine.

Catalog No./Model	C	A mm	A <sub>1</sub> mm	B mm	D mm	E mm	E <sub>1</sub> mm	F mm	K mm	K <sub>1</sub> mm	WF mm	WL mm
Δ LROEMXT 1 1/8 x 1	2 1/2 - 12 UN	175	192	77	19	50	57	114	38	38	61,5	19
LROEMXT 1 1/8 x 2	2 1/2 - 12 UN	226	243	77	19	50	57	140	51	51	61,5	19
OEMXT 1 1/8 x 4	2 1/2 - 12 UN	328	345	77	19	50	57	191	76	76	61,5	19
OEMXT 1 1/8 x 6	2 1/2 - 12 UN	456	473	77	19	50	57	241	76	76	61,5	19
Δ LROEMXT 2.0M x 1	M64 x 2,0	175	192	77	19	50	57	114	38	38	61,5	19
(LR)OEMXT 2.0M x 2	M64 x 2,0	226	243	77	19	50	57	140	51	51	61,5	19
OEMXT 2.0M x 4	M64 x 2,0	328	345	77	19	50	57	191	76	76	61,5	19
OEMXT 2.0M x 6	M64 x 2,0	456	473	77	19	50	57	241	76	76	61,5	19

Note: Δ = Non-standard lead time items, contact ITT Enidine.

# Adjustable Series Hydraulic Shock Absorbers

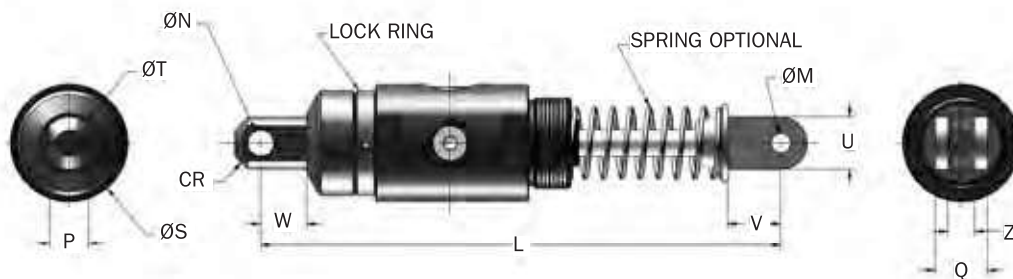
## OEMXT Mid-Bore Series Accessories

OEMXT 1 1/8 → (LR)OEMXT 2.0M Series

Accessories

### Clevis Mount

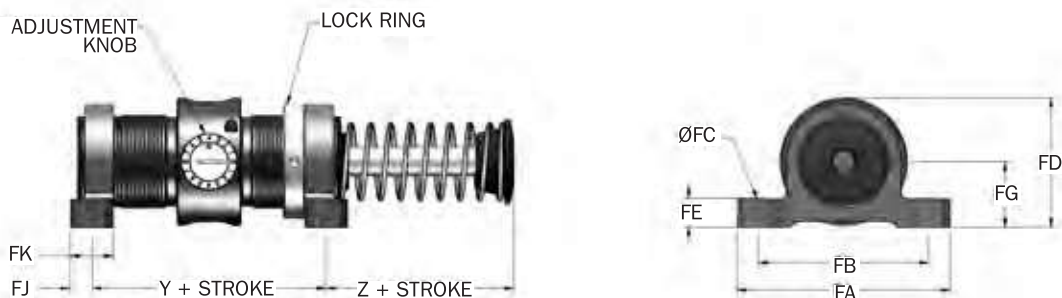
Adjustable Series



Catalog No./Model	(S) Stroke mm	L mm	M mm	N mm	P mm	Q mm	S mm	T mm	U mm	V mm	W mm	Z mm	CR mm	Mass Kg
△(LR)OEMXT 1 1/8 x 2 CM (S)	50	306,0	19,07 +0,25/0	19,07 +0,25/0	31,7 0/-0,3	38,0 +0,5/0,0	73,0	38,0	38,0	36,0	26,0	16,0	23,0	5,30
△(LR)OEMXT 2.0M x 2 CM (S)	50	306,0	19,07 +0,25/0	19,07 +0,25/0	31,7 0/-0,3	38,0 +0,5/0,0	73,0	38,0	38,0	36,0	26,0	16,0	23,0	5,30
△OEMXT 1 1/8 x 4 CM (S)	100	408,0	19,07 +0,25/0	19,07 +0,25/0	31,7 0/-0,3	38,0 +0,5/0,0	73,0	38,0	38,0	36,0	26,0	16,0	23,0	6,08
△OEMXT 2.0M x 4 CM (S)	100	408,0	19,07 +0,25/0	19,07 +0,25/0	31,7 0/-0,3	38,0 +0,5/0,0	73,0	38,0	38,0	36,0	26,0	16,0	23,0	6,08
△OEMXT 1 1/8 x 6 CM (S)	150	537,0	19,07 +0,25/0	19,07 +0,25/0	31,7 0/-0,3	38,0 +0,5/0,0	73,0	38,0	38,0	36,0	26,0	16,0	23,0	7,39
△OEMXT 2.0M x 6 CM (S)	150	537,0	19,07 +0,25/0	19,07 +0,25/0	31,7 0/-0,3	38,0 +0,5/0,0	73,0	38,0	38,0	36,0	26,0	16,0	23,0	7,39

Notes: 1. "S" designates model is supplied with spring.  
2. △ = Non-standard lead time items, contact ITT Enidine.

### Flange Foot Mount



Catalog No./Model	Part Number	Model Ref	Y mm	Z mm	FA mm	FB mm	FC mm	FD mm	FE mm	FG mm	FJ mm	FK mm	Bolt Size mm	Mass Kg	Notes
FM 2 1/2 x 12	2FE3010	(LR)OEM 1 1/8	76,2	39,6	143,0	124,0	10,4	89,7	16,0	44,5	11,2	22,4	M10	1.08	1
FM M64 x 2	2F3010	(LR)OEM 2.0M	76,2	39,6	143,0	124,0	10,4	89,7	16,0	44,5	11,2	22,4	M10	1.08	2

Notes: 1. OEM 1 1/8 x 6 'Z' dimension is 68,3 mm.  
2. OEM 2.0M x 6 'Z' dimension is 68,3 mm.