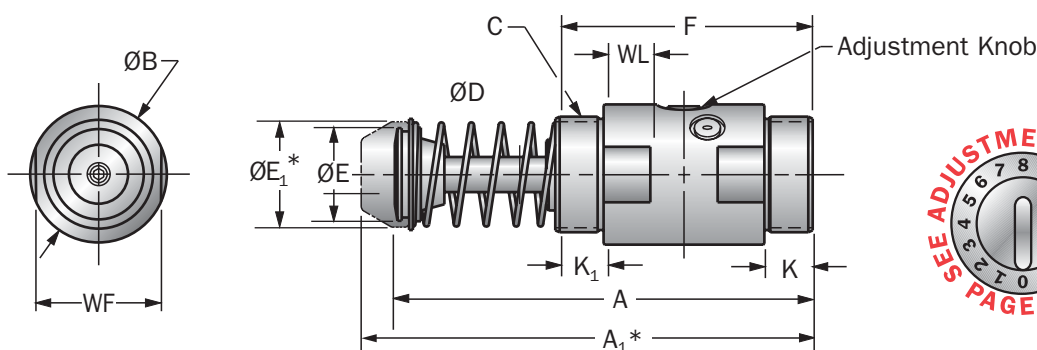




OEM 3/4 → OEM 1 1/8



ADJUSTABLES

*Note: A₁ and E₁ apply to urethane striker cap accessory.

Catalog No. (Model)	Bore Size (mm)	(S) Stroke (mm)	Optimal Velocity Range (m/sec)	(E _T) Max. Nm/cycle	(E _T C) Max. Nm/hour	(F _P) Max. Shock Force (N)	Nominal Coil Spring Force		(F _P) Max. Propelling Force (N)	Model Weight (g)
							Extended (N)	Compressed (N)		
OEM 3/4 x 1	20	25,0	0,3-3,5	260	126 000	13 000	49	68	2 890	1,2
LROEM 3/4 x 1	20	25,0	0,08-1,3	260	126 000	13 000	49	68	6 660	1,2
OEM 3/4 x 2	20	50,0	0,3-3,5	520	167 000	13 000	32	68	2 890	1,3
LROEM 3/4 x 2	20	50,0	0,08-1,3	520	167 000	13 000	49	80	6 660	1,3
OEM 3/4 x 3	20	75,0	0,3-3,5	780	201 000	13 000	32	80	2 890	1,6
LROEM 1 1/8 x 1	30	25,0	0,08-0,8	680	226 000	34 500	115	155	17 790	2,9
OEM 1 1/8 x 2	30	50,0	0,3-3,5	1 360	271 000	34 500	76	155	6 660	4,5
LROEM 1 1/8 x 2	30	50,0	0,08-0,8	1 360	271 000	34 500	76	155	17 760	4,5
OEM 1 1/8 x 4	30	100,0	0,3-3,5	2 710	362 000	34 500	79	160	6 660	5,3
OEM 1 1/8 x 6	30	150,0	0,3-3,5	4 070	421 000	34 500	90	285	6 660	6,6

All dimensions in millimeters.

Catalog No. (Model)	A	A ₁	B	C	D	E	E ₁	F	K	K ₁	WF	WL
OEM 3/4 x 1	144	162	58	1 3/4 - 12 UN	13	38	44	92	23	21	51	10
LROEM 3/4 x 1	144	162	58	1 3/4 - 12 UN	13	38	44	92	23	21	51	10
OEM 3/4 x 2	195	213	58	1 3/4 - 12 UN	13	38	44	118	23	21	51	12
LROEM 3/4 x 2	195	213	58	1 3/4 - 12 UN	13	38	44	118	23	21	51	12
OEM 3/4 x 3	246	264	58	1 3/4 - 12 UN	13	38	44	143	23	21	51	12
LROEM 1 1/8 x 1	175	193	77	2 1/2 - 12 UN	19	50	57	114	26	26	70	12
OEM 1 1/8 x 2	226	243	77	2 1/2 - 12 UN	19	50	57	140	26	26	70	25
LROEM 1 1/8 x 2	226	243	77	2 1/2 - 12 UN	19	50	57	140	26	26	70	25
OEM 1 1/8 x 4	328	345	77	2 1/2 - 12 UN	19	50	57	191	26	26	70	25
OEM 1 1/8 x 6	456	473	77	2 1/2 - 12 UN	19	60	60	241	26	26	70	25

Notes: 1. All shock absorbers will function satisfactorily at 5% of their maximum rated energy per cycle.

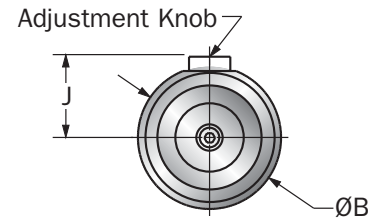
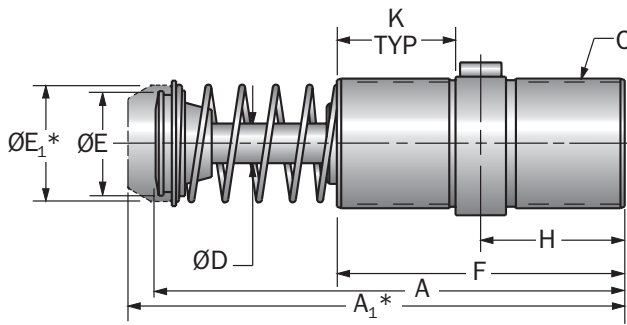
All dimensions in millimeters.

- If less than 5%, a smaller model should be specified.
- 2. Air/Oil (AOEM, LRAOEM) models – max. energy per hour is 20% higher than the standard OEM/LROEM models.
- 3. For mounting accessories, see pages 22-30.
- 4. Rear flange mounting not recommended for OEM 1 1/8 x 6 when mounting horizontally.

Adjustable Hydraulic Series

OEM Large Series

OEM 1.5M → OEM 4.0M



*Note: A₁ and E₁ apply to urethane striker cap accessory.

Catalog No. (Model)	Bore Size (mm)	(S) Stroke (mm)	Optimal Velocity Range (m/sec)	(E _T) Max. Nm/cycle	(E _T -C) Optimal Max. Nm/hour	(F _P) Max. Shock Force (N)	Nominal Coil Spring Force		(F _P) Max. Propelling Force (N)	Model Weight (kg)
							Extended (N)	Compressed (N)		
OEM 1.5M x 1	20	25	0,3-3,5	260	126 000	13 000	49	68	2 890	0,9
LROEM 1.5M x 1	20	25	0,08-1,3	260	126 000	13 000	49	68	6 660	0,9
OEM 1.5M x 2	20	50	0,3-3,5	520	167 000	13 000	32	68	2 890	1,0
LROEM 1.5M x 2	20	50	0,08-1,3	520	167 000	13 000	49	80	6 660	1,0
OEM 1.5M x 3	20	75	0,3-3,5	780	201 000	13 000	32	80	2 890	1,2
OEM 2.0M x 2	30	50	0,3-3,5	1 360	271 000	34 500	76	155	6 660	3,4
LROEM 2.0M x 2	30	50	0,08-0,8	1 360	271 000	34 500	76	155	17 760	3,4
OEM 2.0M x 4	30	100	0,3-3,5	2 710	362 000	34 500	69	160	6 660	4,0
OEM 2.0M x 6	30	150	0,3-3,5	4 070	421 000	34 500	90	285	6 660	5,0
OEM 3.0M x 2	40	50	0,3-4,3	2 300	372 000	67 000	110	200	12 000	7,0
OEM 3.0M x 3.5	40	90	0,3-4,3	4 000	652 000	67 000	110	200	12 000	9,1
OEM 3.0M x 5	40	125	0,3-4,3	5 700	933 000	67 000	71	200	12 000	10,9
OEM 3.0M x 6.5	40	165	0,3-4,3	7 300	1 215 000	67 000	120	330	12 000	13,6
OEM 4.0M x 2	50	50	0,3-4,3	3 800	1 503 000	111 000	225	290	21 000	15,0
OEM 4.0M x 4	50	100	0,3-4,3	7 700	1 808 000	111 000	155	290	21 000	18,2
OEM 4.0M x 6	50	150	0,3-4,3	11 500	2 102 000	111 000	135	310	21 000	20,0
OEM 4.0M x 8	50	200	0,3-4,3	15 400	2 407 000	111 000	180	355	21 000	30,0
OEM 4.0M x 10	50	250	0,3-4,3	19 200	2 712 000	111 000	135	355	21 000	33,0

All dimensions in millimeters.

Catalog No. (Model)	A	A ₁	B	C	D	E	E ₁	F	H	J	K
(LR)OEM 1.5M x 1	144	162	51	M42 x 1,5	13	38	44	92	46	37	32
(LR)OEM 1.5M x 2	195	213	51	M42 x 1,5	13	38	44	118	59	37	45
OEM 1.5M x 3	246	264	51	M42 x 1,5	13	38	44	143	72	37	57
(LR)OEM 2.0M x 2	226	243	73	M64 x 2	19	50	57	140	70	48	50
OEM 2.0M x 4	328	345	73	M64 x 2	19	50	57	191	96	48	76
OEM 2.0M x 6	456	473	73	M64 x 2	19	60	60	241	121	48	76
OEM 3.0M x 2	245	265	98	M85 x 2	22	69	76	140	70	58	51
OEM 3.0M x 3.5	323	343	98	M85 x 2	22	69	76	179	90	58	71
OEM 3.0M x 5	399	419	98	M85 x 2	22	69	76	217	109	58	71
OEM 3.0M x 6.5	494	514	98	M85 x 2	22	81	81	256	128	58	71
OEM 4.0M x 2	313	335	127	M115 x 2	35	88	95	203	102	74	80
OEM 4.0M x 4	414	436	127	M115 x 2	35	88	95	254	127	74	105
OEM 4.0M x 6	516	538	127	M115 x 2	35	88	95	305	153	74	108
OEM 4.0M x 8	643	665	127	M115 x 2	35	88	95	356	178	74	108
OEM 4.0M x 10	745	767	127	M115 x 2	35	88	95	406	203	74	108

All dimensions in millimeters.

Notes: 1. All shock absorbers will function satisfactorily at 5% of their maximum rated energy per cycle.

If less than 5%, a smaller model should be specified.

2. Air/Oil (AOEM, LRAOEM) models – max. energy per hour is 20% higher than the standard OEM/LROEM models (see page 14).

3. For mounting accessories, see pages 22-30.

4. Rear flange mounting of OEM 2.0M x 6, OEM 3.0M x 6.5, OEM 4.0M x 8 and OEM 4.0M x 10 models not recommended when mounting horizontally.