



PDM-1000-01 PDM-2000-01

Natural frequency : (1)
15 to 18 Hz

DESCRIPTION

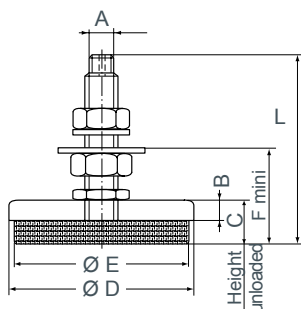
Low profile mounts with high static and dynamic load range.

- 100% 316 stainless steel.
- Natural frequency from 15 to 18 Hz.
- Dynamic load in compression : 3 g.
- Maximum sinusoidal input at resonance: ± 0.4 mm.

APPLICATIONS

- Anti-vibration mounts for presses and machine tools without the need to fix or grout in position.
- For chemical, food industry,...

OPERATING CHARACTERISTICS



Reference	Static load (daN)	A	B (mm)	C (mm)	Ø D (mm)	Ø E (mm)	F (mm)	L (mm)
PDM-1000-01	200 to 1 000	M12 M16	18	27	80	73	52	156
PDM-2000-01	800 to 2 000	M16 M20	15	30	128	120	62	197

(1) Natural frequencies with max/min loads, see : OPERATING CHARACTERISTICS.