



PAULSTRADYN®

Natural frequency : (1)
 - axial : 7Hz
 - radial : 3 to 5,5 Hz

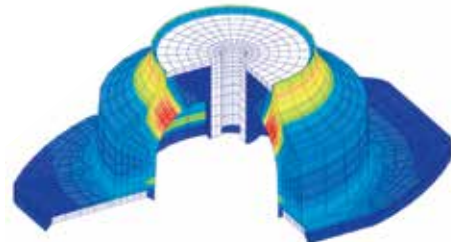
AVANTAGES

- Better than 90% isolation at 1.500 rpm (25 Hz).
- Constant height over wide load range.
- Stabilised characteristics during Service Life.
- Simple to fit.
- 500 hours protection against salt spray*.
- Design.

*When mounted according to the recommendations given in the catalogue.

Resilient Element = SILTECH

- Low increase of stiffness with frequency
- Low creep



Finite element modeling (FEM) was used when designing the Paulstradyn® series resulting in the lowest possible elastomer stresses and most efficient performance for a high deflection mount of this type.

APPLICATIONS

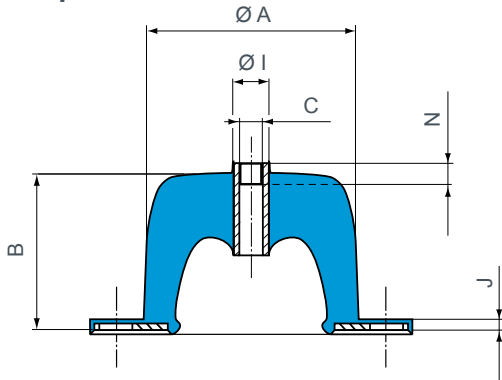
Antivibration isolation for static equipment :

- rotating machinery such as fans, air-conditioning, pumps, compressors, generator sets;
- pipeworks, ceilings, transformers, electrical enclosures.

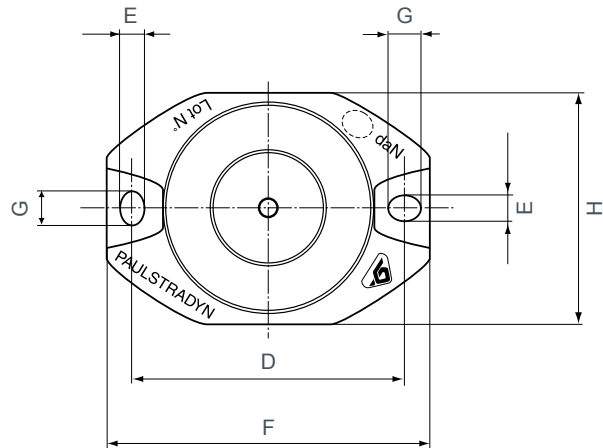
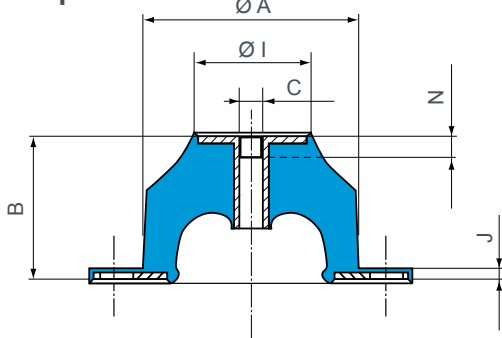
1) the indicated natural frequency, are valid for the maxi loads of the ranges of use quoted in the paragraph : TECHNICAL CHARACTERISTICS.

DIMENSIONS CHARACTERISTICS

Shape 1



Shape 2



| Designation | Ref. | Nominal Load NL (daN) | Shape | Dimensions (mm) | | | | | | | | | | |
|------------------|--------|-----------------------|-------|-----------------|----|-----|-----|------|-----|------|-----|-----|-----|----|
| | | | | Ø A | B* | C | D | E | F | G | H | Ø I | J | N |
| Paulstradyn® 4 | 533701 | 4 | 1 | 40 | 40 | M6 | 52 | 6,2 | 64 | 6,2 | 44 | 12 | 2,5 | 6 |
| 7 | 533702 | 7 | | | | | | | | | | | | |
| 12 | 533703 | 12 | | | | | | | | | | | | |
| Paulstradyn® 20 | 533704 | 20 | 2 | 60 | 40 | M6 | 76 | 6,2 | 90 | 8,2 | 64 | 31 | 2,5 | 6 |
| 30 | 533705 | 30 | | | | | | | | | | | | |
| 50 | 533706 | 50 | | | | | | | | | | | | |
| Paulstradyn® 70 | 533707 | 70 | 2 | 80 | 40 | M8 | 100 | 8,2 | 122 | 12,2 | 84 | 48 | 2,5 | 12 |
| 100 | 533708 | 100 | | | | | | | | | | | | |
| 130 | 533709 | 130 | | | | | | | | | | | | |
| Paulstradyn® 160 | 533710 | 160 | 2 | 100 | 40 | M10 | 124 | 10,2 | 152 | 16,2 | 104 | 68 | 3 | 10 |
| 200 | 533711 | 200 | | | | | | | | | | | | |
| 260 | 533712 | 260 | | | | | | | | | | | | |
| Paulstradyn® 325 | 533713 | 325 | 2 | 150 | 40 | M12 | 182 | 12,2 | 214 | 20,2 | 154 | 116 | 4,5 | 10 |
| 400 | 533714 | 400 | | | | | | | | | | | | |
| 500 | 533715 | 500 | | | | | | | | | | | | |
| Paulstradyn® 640 | 533716 | 640 | 2 | 200 | 40 | M16 | 240 | 14,2 | 280 | 24,2 | 204 | 159 | 5,5 | 20 |
| 820 | 533717 | 820 | | | | | | | | | | | | |
| 1050 | 533718 | 1050 | | | | | | | | | | | | |
| 1350 | 533719 | 1350 | | | | | | | | | | | | |

* Height, unloaded 40 mm, under load 32 mm (see Technical Characteristics).

NL : Nominal static load with mounting under axial compression.



TECHNICAL CHARACTERISTICS

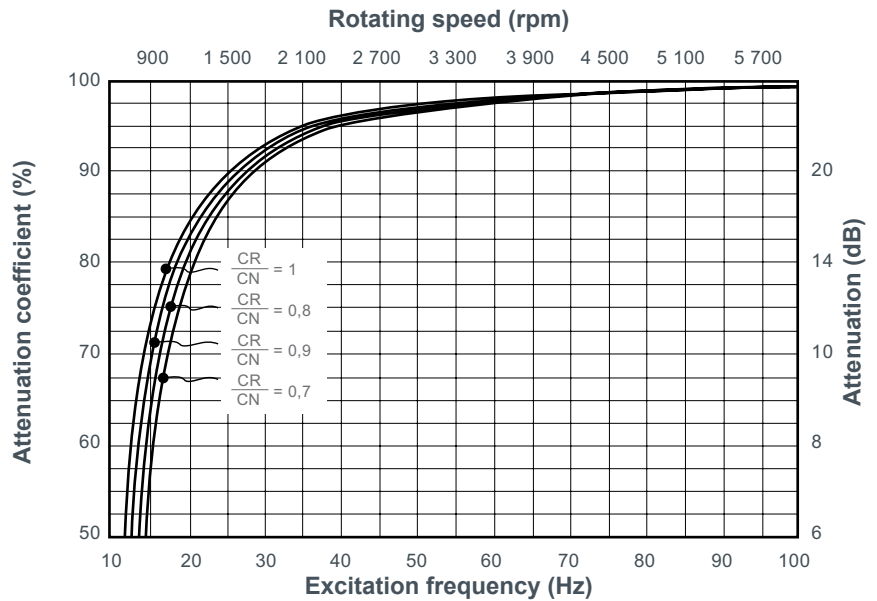
The vibration attenuation and height characteristics under nominal loads are **stabilised after one month under a load at 20°C**.

Common characteristics

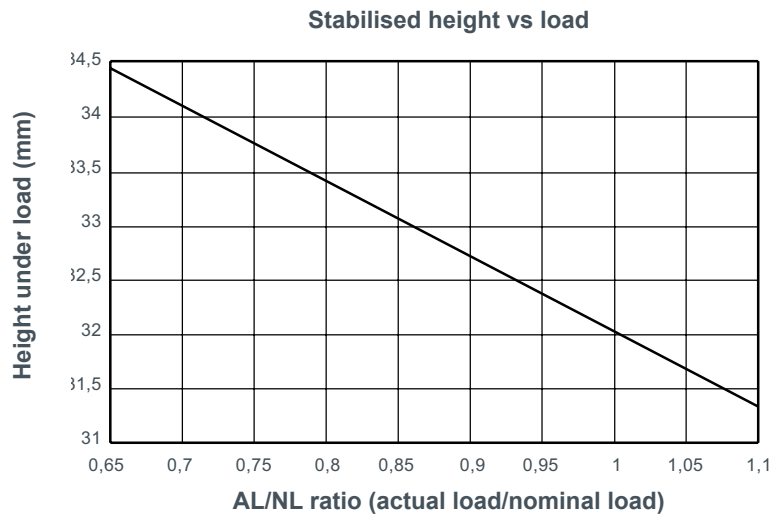
- Natural axial frequency : 7 Hz, with nominal load.
- Natural radial frequency : 3 to 5.5 Hz.
- Maximum displacement :
 - axial : 12 mm
 - radial : ± 10 mm.

Vibration attenuation

$$\frac{AL}{NL} = \text{Ratio} \frac{\text{actual load}}{\text{nominal load}}$$



Height under load



Temperature

Operating temperature : - 20 °C to + 70 °C.

Other characteristics*

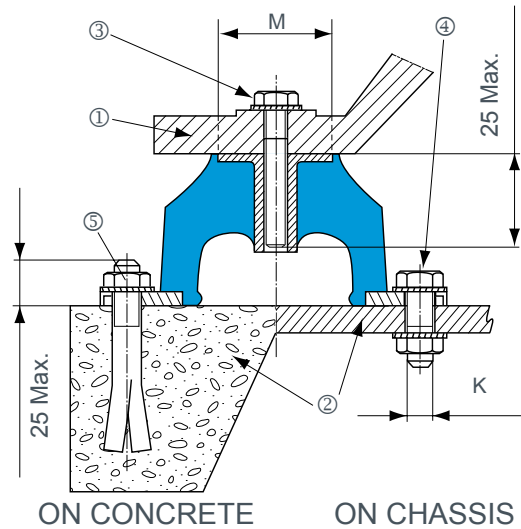
Good dynamic performance at high frequency
 Withstand fatigue and shocks.
 Reduced creep.

* Detailed Technical Characteristics can be sent on request. Ask us for details.

MOUNTING

Standard Mounting

- ① machine base or foot dimensions > $\varnothing M^*$
- ② supporting structure (floor) dimensions > base of mounting F^*
- ③ screw $\varnothing C^{**}$
- ④ screw HM $\varnothing K$, a washer is required between the screw head and the PAULSTRADYN^{®**}
- ⑤ screw $\varnothing K$, a washer is required between the screw head and the PAULSTRADYN^{®**}



Shape 1

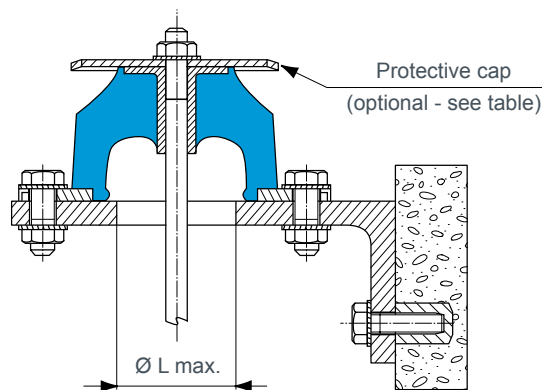
* to distribute the load and resist corrosion.
 ** nuts and screws grade 4.6 minimum.

Recommended torque

| Diameter K (mm) | M6 | M8 | M10 | M12 |
|-----------------|----|----|-----|-----|
| Torque N.m | 2 | 5 | 12 | 20 |

Note : Do not paint the mountings after fitting.

Alternative mounting



Shape 2

Mounting and cap references

| Paulstradyn [®] references | Dimensions (mm) | | | Protective cap reference (optional) |
|-------------------------------------|-----------------|----------------|----------------|-------------------------------------|
| | K Shape 1 | L max. shape 2 | M min. shape 1 | |
| 533701, 533702, 533703, | M5 | 27 | 14 | 342919 |
| 533704, 533705, 533706 | M5 | 40 | 34 | 342356 |
| 533707, 533708, 533709 | M6 | 46 | 50 | 342733 |
| 533710, 533711, 533712 | M8 | 47 | 70 | 342734 |
| 533713, 533714, 533715 | M10 | 99 | 118 | 342353 |
| 533716, 533717, 533718 | M12 | 127 | 162 | 342354 |
| 533719 | | | | |