

RINGS AND BUSHINGS

(1) Natural frequency:
6 to 28 Hz



DESCRIPTION

All elements made of elastomer.
Elastomer is compatible with the majority of the industrial environments and has an operating temperature range of -40°C to $+83^{\circ}\text{C}$

OPERATION

A ring assembled with the associated bushing constitutes a flexible interface and a simple solution to decrease noise and vibrations.

- These supports can be installed in parallel for a greater load capacity and may also be stacked in series when greater deflection capacity is required.

Advantages:

- Highly efficient noise reduction.
- Absorb shock and vibrations.
- Simple and economic.
- Four models in four stiffnesses for load capacities going from 0.5 to 160 kg per isolator.

APPLICATIONS

- Office machines, motors, fans, HVAC equipment, electronics equipment, telecommunication equipment.

(1) Natural frequencies with max/min loads, see : OPERATING CHARACTERISTICS.

DIMENSIONS CHARACTERISTICS

Rings

Bushings

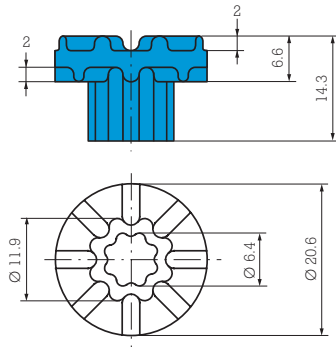


Fig. 1

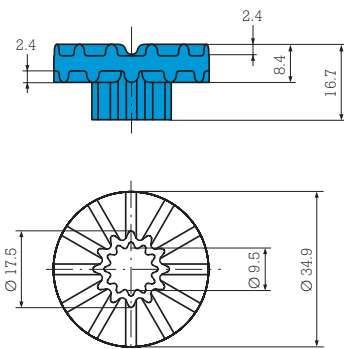
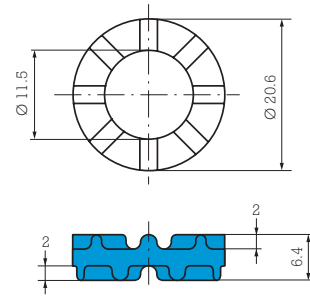


Fig. 2

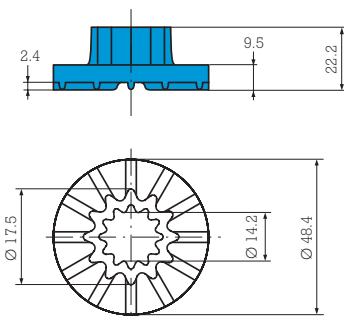
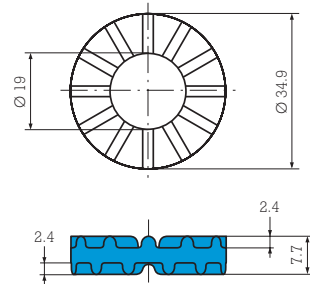


Fig. 3

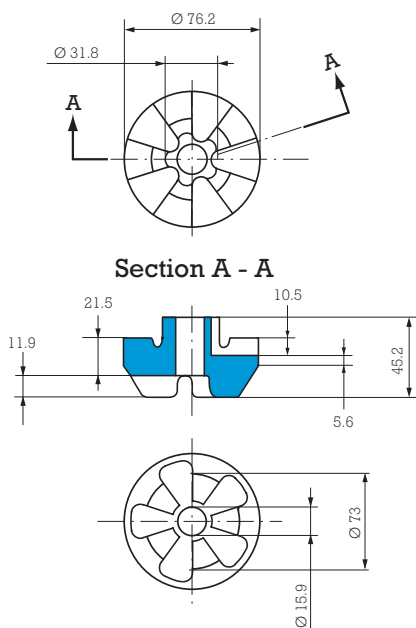
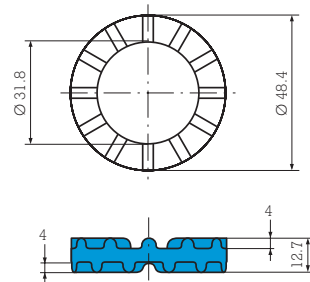
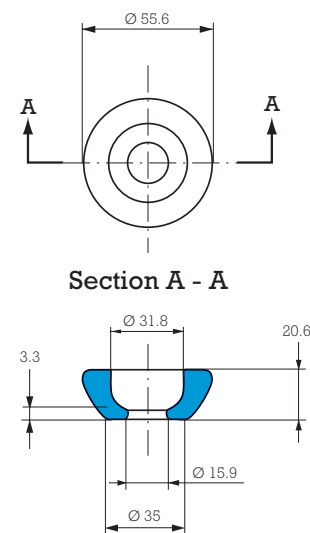


Fig. 4



OPERATING CHARACTERISTICS

Group Paulstra reference Barry Controls reference *	Fig	Load range	
		Min. (daN)	Max. (daN)
530907 13 / 530908 13 <i>WR1-030 / WB1-030</i>	1	0.4	1.8
530907 14 / 530908 14 <i>WR1-040 / WB1-040</i>	1	0.9	2.7
530907 15 / 530908 15 <i>WR1-050 / WB1-050</i>	1	1.4	3.6
530907 16 / 530908 16 <i>WR1-060 / WB1-060</i>	1	2.3	5.4
530907 43 / 530908 43 <i>WR4-030 / WB4-030</i>	3	2.7	9
530907 44 / 530908 44 <i>WR4-040 / WB4-040</i>	3	3.2	10.5
530907 45 / 530908 45 <i>WR4-050 / WB4-050</i>	3	4.5	11.4
530907 46 / 530908 46 <i>WR4-060 / WB4-060</i>	3	6.8	16

Group Paulstra reference Barry Controls reference *	Fig	Load range	
		Min. (daN)	Max. (daN)
530907 33 / 530908 33 <i>WR3-030 / WB3-030</i>	2	4.7	16
530907 34 / 530908 34 <i>WR3-040 / WB3-040</i>	2	9	23
530907 35 / 530908 35 <i>WR3-050 / WB3-050</i>	2	13.6	27
530907 36 / 530908 36 <i>WR3-060 / WB3-060</i>	2	18	74
530907 63 / 530908 63 <i>WR6-030 / WB6-030</i>	4	27	55
530907 64 / 530908 64 <i>WR6-040 / WB6-040</i>	4	50	73
530907 65 / 530908 65 <i>WR6-050 / WB6-050</i>	4	61	114
530907 66 / 530908 66 <i>WR6-060 / WB6-060</i>	4	73	159

* Barry Controls references are given as an indication.

1 kg ≈ 1 daN

LOAD/DEFLECTION CURVES IN AXIAL COMPRESSION

