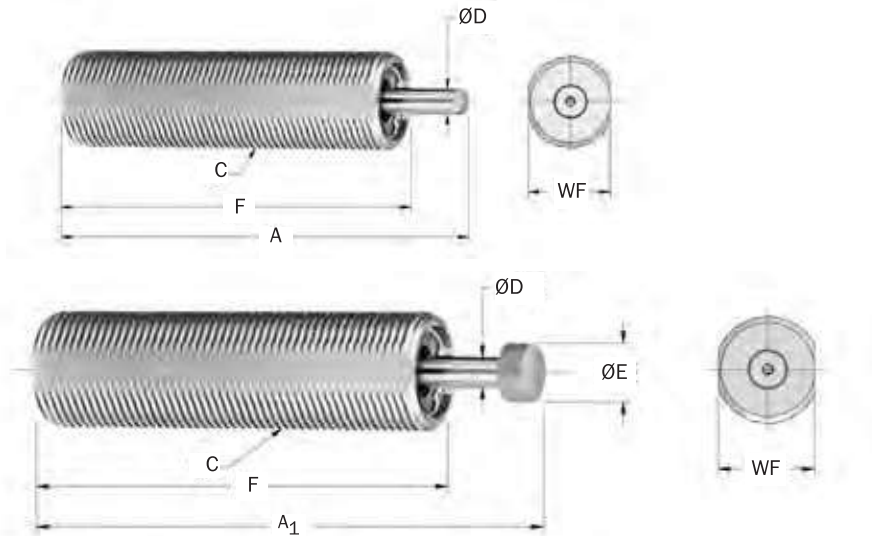


STH .25M → STH 1.5M x 2 Series

Custom Orificed Products



Catalog No./ Model	S Stroke mm	E _T Max. Nm/c	E _T C Max. Nm/hr	F _p Max. Reaction Force N	Nominal Coil Spring Force		Mass g
					Extended N	Compressed N	
△ STH .25M	6,0	11	4 420	2 730	11	18	79
△ STH .5M	12,5	65	44 200	8 000	18	31	218
△ STH .75M	19,0	245	88 400	19 600	35	90	500
△ STH 1.0M	25,0	500	147 000	29 800	98	235	726
△ STH 1.0M x 2	50,0	1 000	235 000	29 800	66	133	862
△ STH 1.5M x 1	25,0	1 150	250 000	65 000	90	227	1 400
△ STH 1.5M x 2	50,0	2 300	360 000	65 000	56	227	1 800

Notes: 1. Custom orificed application data needed.

2. All shock absorbers will function at 5% of their rated energy per cycle. If less than 5%, a smaller model should be specified.

3. ITT Enidine recommends a positive stop to prevent bottoming of the shock absorber.

4. △ = Non-standard lead time items, contact ITT Enidine.

Catalog No./ Model	A mm	A ₁ mm	C	D mm	E mm	F mm	WF
△ STH .25M	—	71,0	M14 x 1,0	4,8	12,7	51,0	13,0
△ STH .5M	—	89,0	M22 x 1,5	5,6	9,5	68,5	20,0
△ STH .75M	—	130,0	M30 x 2,0	8,0	14,3	103,0	27,0
△ STH 1.0M	—	170,0	M36 x 1,5	9,5	17,5	136,5	32,0
△ STH 1.0M x 2	—	238,2	M36 x 1,5	9,5	17,5	178,3	32,0
△ STH 1.5M x 1	180,0	—	M45 x 1,5	16,0	—	154,0	42,0
△ STH 1.5M x 2	270,0	—	M45 x 1,5	16,0	—	219,0	42,0