

# S.T.C.



(1) Natural frequency :  
10 to 25 Hz

## DESCRIPTION

The S.T.C. mounting comprises a rubber ring bonded to a central tube.

- Inner tube : mild steel.
- Bonded rubber in the form of a ring at the top with a collar below which is used for fixing.

## OPERATION

The design of the S.T.C. mounting gives the following basic characteristics :

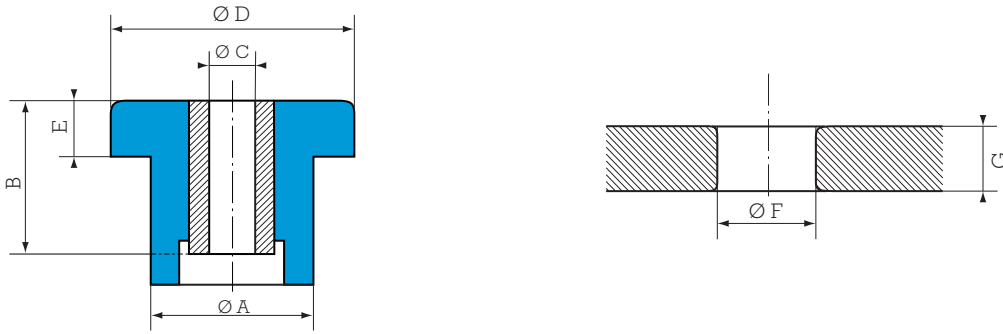
- The rubber works in compression.
- Anti-rebound.
- Can be used as safety mounting.

### Advantages :

- Simple to fix.
- Simple and economical.
- Extensive range of loads.

(1) Natural frequencies with max/min loads, see : OPERATING CHARACTERISTICS.

## DIMENSIONS



Reference	Ø A mm	B mm	Ø C mm	Ø D mm	E mm	Ø F mm	G mm
539887	20.6	17.5	10	27.7	5.6	20.6	8
539190	31.5	25.4	13	44.5	10.4	31.5	10
539886	34.3	35	13	50.8	13.5	34.3	16
539191	41.1	44.5	16	63.5	15.7	41.1	19
* 539920	38	23	16	64	16	38.5	19
539951	56.6	50.8	20	95	25.4	56	20

\* This S.T.C. is mounted in pairs : see Fig. 2.

See current price list for availability of items.

## OPERATING CHARACTERISTICS

Reference	Hardness	Nominal static load daN	Deflection mm
539887	45	8-35	0.7
	60	10-50	0.7
539190	45	15-75	1.2
	60	25-100	1.2
539886	60	35-150	1.2
	75	80-330	1.2

Reference	Hardness	Nominal static load daN	Deflection mm
539191	60	60-250	2
	75	125-500	2
539920	45	100-400	2
	75	250-1000	1
539951	45	175-700	3
	65	250-1000	3

## ASSEMBLY

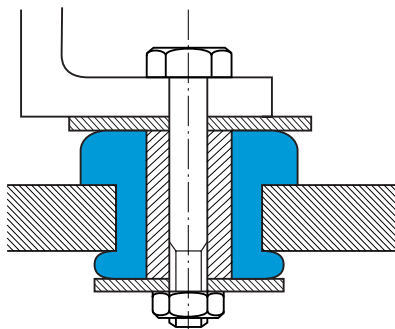


Fig. 1

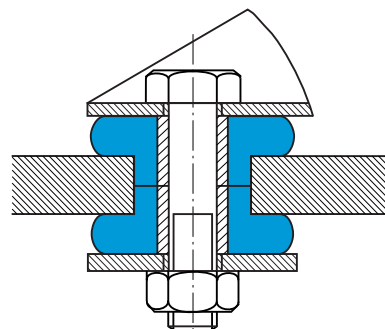


Fig. 2 (For 539920)