



TRAXIFLEX®

Natural frequency : (1)
8 à 10 Hz

See Vibrachoc
metallic range :
VE101 - VE111
VE112 - VE113

DESCRIPTION

The TRAXIFLEX® hanger comprises two metallic U armatures joined by two bonded rubber blocks. It is available in two versions : male/female and female/female.

OPERATION

The design of the TRAXIFLEX® hanger gives the following basic characteristics :

- rubber works in compression-shear;
- the same deflection under nominal load for all types;
- safety system in case of elastomer failure.

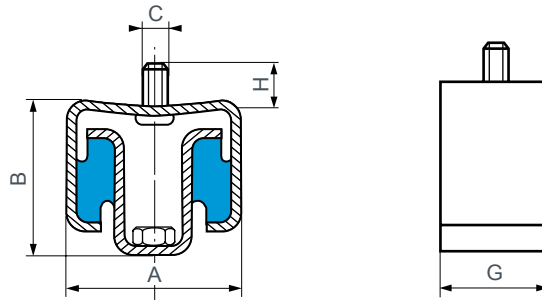
Advantages

- Economic solution for suppressing structure borne noise.
- Several fixing methods.
- High resistance to atmospheric exposure :
 - galvanised armatures;
 - chloroprene elastomer.
- Upper metallic part is shaped to simplify orientation while fixing.
- Two hardnesses of elastomer to extend the choice of mounting as a function of load.
- Filtration of vibration and the attenuation of the consequent noise.
- Allows movement due to thermal expansion.

1) the indicated natural frequency, are valid for the maxi loads of the ranges of use quoted in the paragraph : TECHNICAL CHARACTERISTICS.



DIMENSIONS



Type	Reference		Hardness Shore A	A (mm)	B (mm)	C	G (mm)	H (mm)
	1 screw - 1 nut	2 nuts						
TR 12-30	535600	-	45-60	47	38	M7 x 1,50	16	7
TR 12-30	535603/61*	-	60	47	38	M6 x 1,00	16	17
TR 12-30	535603	-	45	47	38	M6 x 1,00	16	17
TR 12-30	-	535623/61	60	47	38	M8 x 1,25	16	17
TR 40-80	535611	535621	45-60	55	47	M8 x 1,25	30	13
TR 100-250	535612	535622	45-60	74	50	M12 x 1,75	40	17

See current price list for availability of items.

* Elastomer resistant to fire M1.

OPERATING CHARACTERISTICS

Recommended load (daN)	Deflection (mm)	Reference		Hardness Shore A
		1 screw - 1 nut	2 nuts	
4-18	4	535600	-	45
4-18	4	565603	-	45
7-30	4	565600	-	60
7-30	4	535603/61*	-	60
7-30	4	-	535623/61	60
10-52	4	535611	535621	45
20-80	4	535611	535621	60
20-80	4	535611*	535621	60
20-92	4	535612	535622	45
30-136	4	535612	535622	60

TRAXIFLEX® mounts have been subjected to acoustic trials at the Centre Expérimental de Recherches et d'Études du Bâtiment et des Travaux Publics which has given the P.V nr. 554.6.078.

* Elastomer resistant to fire M1.

ASSEMBLY

When fixing, ensure that all the TRAXIFLEX® hanger are supporting the same load. It is necessary to ensure that they are all the same distance from the fixing surface (ceiling, girder, plank...). TRAXIFLEX® mounts can be used to suspend pipework : the whole assembly being fixed to the ceiling.

- suspending hot air ducts;
- suspending a fan unit and distribution ducts;
- suspending a hot air generator with continuous airflow;
- suspending an integral cased air conditioner.