



## VE101 VE111 VE112 VE113

Natural frequency : (1)  
3,5 to 6 Hz

See also  
PAULSTRA  
elastomer range :  
Traxiflex

### DESCRIPTION

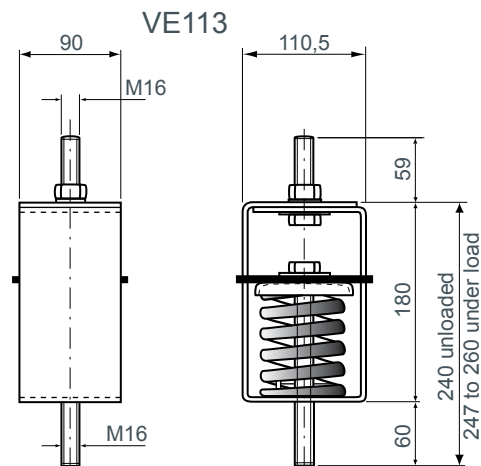
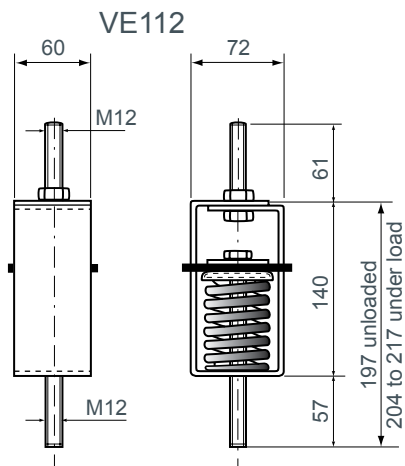
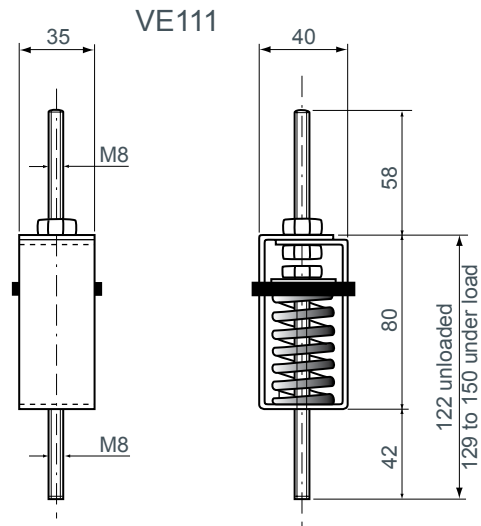
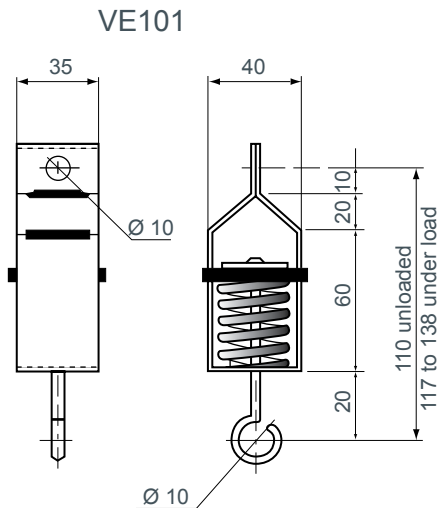
VE isolators have a cylindrical stainless steel spring, a galvanised body, an elastomer noise reduction guide and steel rings or studs depending on the model. The VE112 series has a steel cushion inside the spring.

### APPLICATIONS

These isolators with a natural frequency of between 3.5 and 6 Hz are specially designed for suspending false ceilings, air conditioning equipment and pipework and significantly reduces noise in buildings.

(1) Natural frequencies with max/min loads, see : OPERATING CHARACTERISTICS.

# DIMENSIONS



# OPERATING CHARACTERISTICS

Reference	Static load (daN)
VE101 - 01	1 à 5
VE101 - 02	4 à 13
VE101 - 03	7 à 20
VE101 - 04	12 à 33
VE101 - 05	19 à 43

Reference	Static load (daN)
VE112- 01	25 à 70
VE112 - 02	45 à 130
VE112 - 03	85 à 230

Reference	Static load (daN)
VE111 - 01	1 à 5
VE111 - 02	4 à 13
VE111 - 03	7 à 20
VE111 - 04	12 à 33
VE111 - 05	19 à 43

Reference	Static load (daN)
VE113	150 à 420

## Vibration characteristics

- Natural frequency: 3.5 to 6 Hz.

