

“SANDWICH” MOUNTS

Natural frequency : (1)
5 to 13 Hz



DESCRIPTION

The SANDWICH mount comprises one or more layers of elastomer bonded to flat, parallel metallic plates. These mountings may be cylindrical or rectangular. They are designed to withstand very high compressive loads. The range of mechanical characteristics is governed by the hardness of the rubber and the number of intermediate metallic plates.

These mountings can support compression from 20 to 100 bars.

The elastomer is polychloroprene which provides a high resistance to atmospheric exposure.

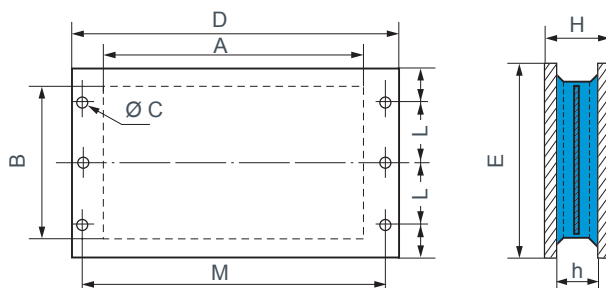
OPERATION

The design of the SANDWICH mount gives the following basic characteristics :

- very slim;
- large surface area;
- stackable mountings;
- the suspended equipment is free to move in all directions;
- high ratio of compression stiffness to shear stiffness;
- very high compression loads.

1) the indicated natural frequency, are valid for the maxi loads of the ranges of use quoted in the paragraph : TECHNICAL CHARACTERISTICS.

BRACKET WITH FIXING

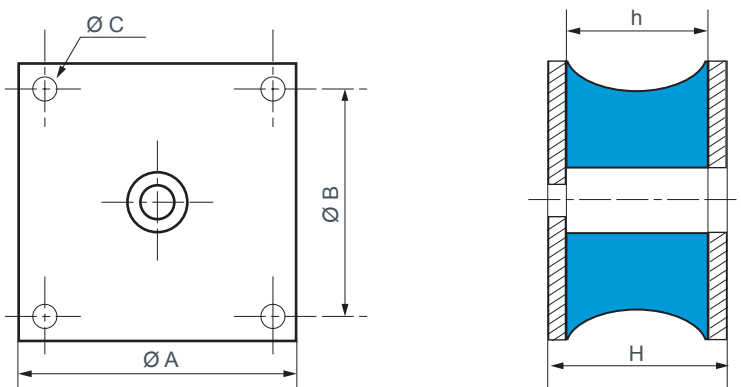


Ref. without intermediate plate	Ref. with intermediate plate	A (mm)	B (mm)	D (mm)	E (mm)	H (mm)	h (mm)	Nr holes x Ø C (mm)	L (mm)	M (mm)	Weight (kg)
539608	539607	182	142	255	170	49	40	6 x 9	58	235	5
539612	539933	372	252	460	300	61	50	6 x 13	100	430	18
539613	-	702	252	805	300	61	50	6 x 17	95	765	35
-	539267	160	110	230	110	58	44	4 x 15	35	202	5
539821	-	283	140	380	140	76	60	6 x 18	50	340	9,5

See current price list for availability of items.

Référence	Hardness	Nominal static load (daN)	Deflection (mm)	Stiffness/shear (daN/mm)
539821	50	1000-4000	8	44
539608	60	1250-5000	4	63
539607	45	2500-10000	6	44
539267	70	6250-25000	3,5	54
539607	60	3750-15000	5	74
539612	45	5000-20000	6	112
539612	60	7500-30000	7	187
539613	60	11250-45000	5	355
539933	60	15000-60000	4	210

DOMINANTLY RADIAL MOUNTINGS



Dimensions can change. Please contact us.

Reference	Hardness	A (mm)	h (mm)	B (mm)	H (mm)	Ø C (mm)	Shear		Compression	
							(daN)	(mm)	(daN)	(mm)
534646	45	150	62	120	70	12,5	200	20	200	17
534647	60	150	62	120	70	12,5	150	20	800	10
534455	38	232	74	190	86	16,5	500	25	2 000	11
534456	45	232	74	190	86	16,5	625	25	2 400	15